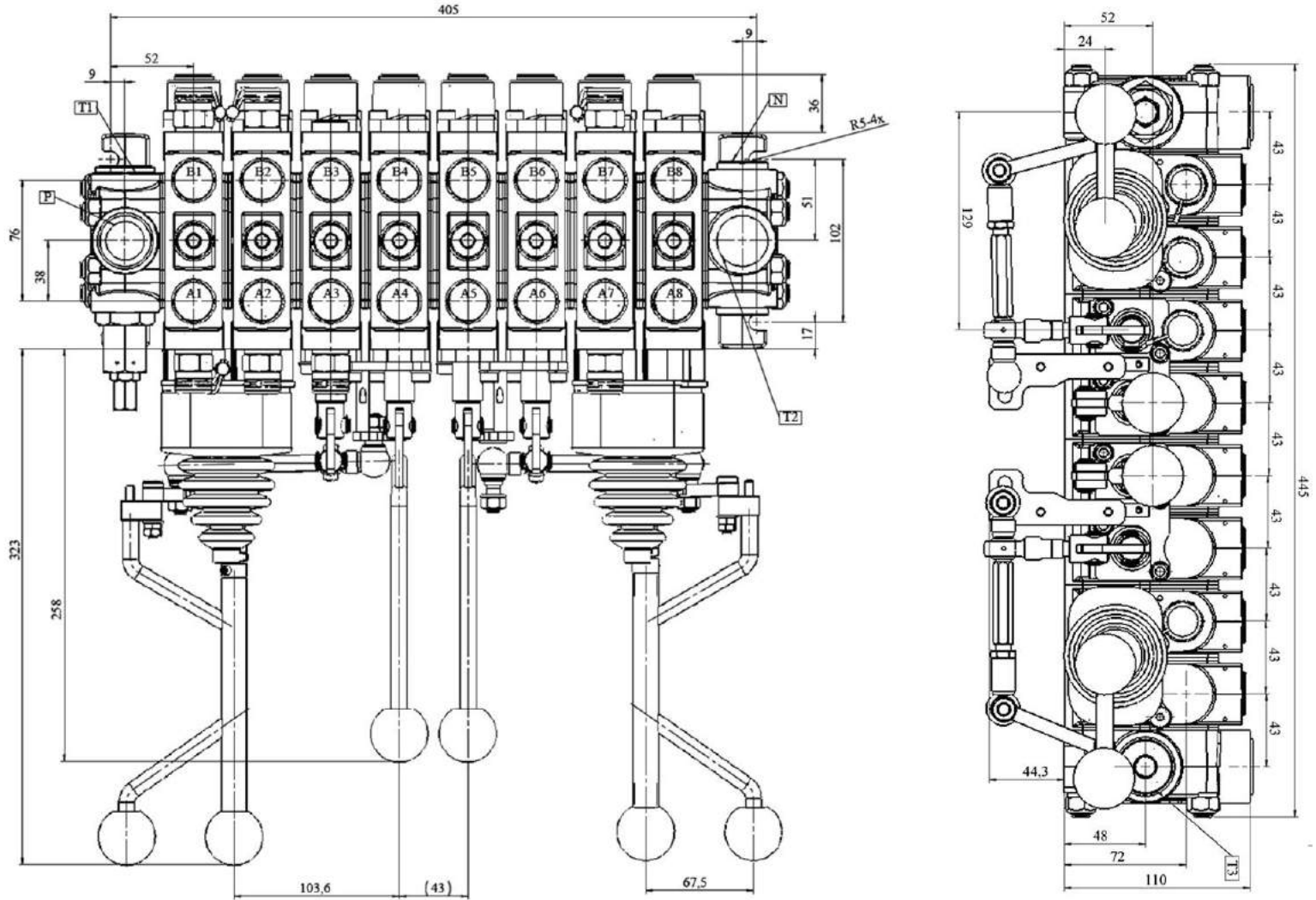


20210

[mm]



Standard working conditions	
Nom. inlet flow	70 l/min
Max. pressure on P	300 bar
Max. pressure on A, B	300 bar
Max. back pressure	50 bar
Operating temperature range	-20 +80 °C

Port dimensions (DIN 3852-2)	
Tank port T1, T3	G 3/4"
Port T2	G 1/2"
Inlet port P	G 1/2"
Working ports A&B	G 1/2"
Port N (plugged by default)	M26x1,5

